

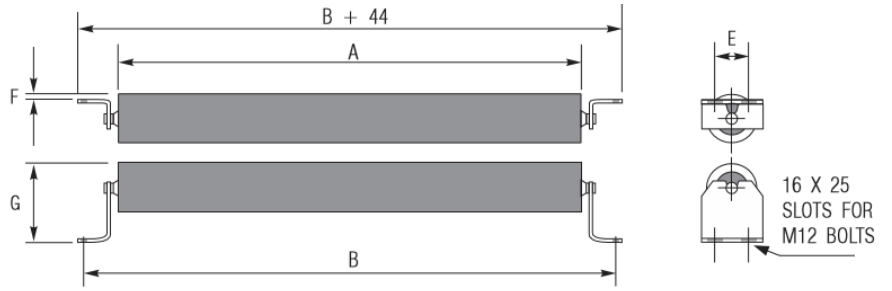
## Conveyor Frames & Rollers



Steel Return Roller



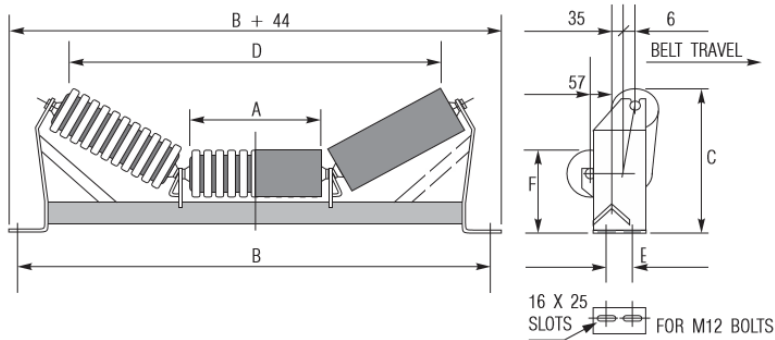
Fibre Return Roller



SERIES A25-62/82		ROLLER DIA.114		BEARING RATING 1430 kg		MAX. BELT SPEED 4.5 m/s				
BELT WIDTH	IDLER DIMENSIONS mm					SHAFT DIA.	IDLER MASSES			
	A	B	E	F	G		SETS		BRKT.	ROLL
	MRP	TOTAL	PAIR	PLAIN						
400	494	650	56	16	150	27	5.6	9.8	1.5	8.3
450	544	700	56	16	150	27	6.1	10.5	1.5	9.0
500	594	750	56	16	150	27	6.6	11.2	1.5	9.7
600	694	850	56	16	150	27	7.6	12.6	1.5	11.1
650	744	900	56	16	150	27	8.1	13.4	1.5	11.9
750	844	1000	56	16	150	27	9.1	14.8	1.5	13.3
800	894	1050	56	16	150	27	9.6	15.5	1.5	14.0
900	994	1150	56	16	150	27	10.6	16.9	1.5	15.4
1000	1094	1250	56	16	150	27	11.5	18.4	1.5	16.9
1050	1144	1300	56	16	150	30	12.0	20.3	1.5	18.8
1200	1294	1450	56	16	150	30	13.5	22.7	1.5	21.2
1350	1494	1650	56	16	150	33	15.5	26.9	1.5	25.4
1400	1544	1700	56	16	150	33	16.0	27.7	1.5	26.2

MAX. BELT SPEED 4.5 m/s  
BEARING RATING 1430 kg

BROACHING PLAIN 14.3 A/F  
BROACHING IMPACT 14.3 A/F



Galvanised Trough Frame 30°



Steel Trough Roller



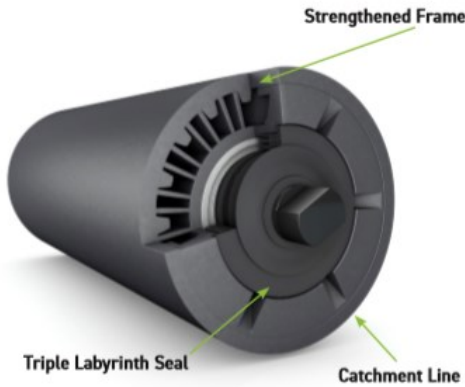
Fibre Trough Roller

BELT WIDTH	IDLER DIMENSIONS mm										E	F	ANGLE SIZE	SHAFT DIA
	20°		30°		35°		45°							
	A	B	C	D	C	D	C	D	C	D				
400	154	650	234	497	259	433	268	410	291	382	56	179	65	27
450	172	700	240	549	268	482	278	457	304	426	56	179	65	27
500	189	750	246	598	276	528	288	502	316	467	56	179	65	27
600	224	850	258	698	294	624	308	594	341	551	56	179	65	27
650	244	900	265	756	304	679	319	647	355	600	56	179	65	27
750	278	1000	277	854	321	771	339	737	379	682	56	179	65	27
800	294	1050	282	900	329	815	348	779	390	720	56	179	65	27
900	331	1150	295	1006	347	916	369	877	417	810	56	179	75	27
1000	358	1250	304	1084	361	990	385	948	436	875	56	179	75	27
1050	383	1300	312	1156	373	1058	399	1014	453	935	56	179	75	27
1200	436	1450	331	1309	400	1203	430	1154	491	1063	56	179	75	27

Our new generation of high density polyethylene (HDPE) roller is designed for the toughest applications. Due to its strengthened frame construction, King Roller™ is a direct replacement for traditional steel rollers.

King Roller's self-cleaning surface greatly reduces the risk of buildup from carryback material - the main cause of belt tracking problems, material spillage, premature wear and failure of steel rollers.

In today's world of ever-rising energy costs, King Roller's lightweight yet robust design can help reduce belt tensions and power requirements - to keep your running costs down.



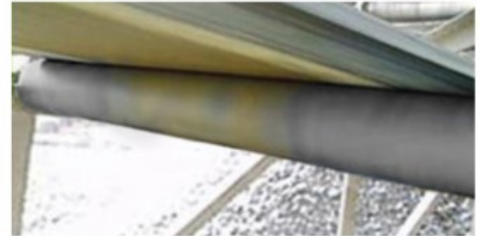
Carryback material buildup on a steel roller



### WHY KING ROLLER™?

- ✓ Patented roller design - tough, abrasion-resistant HDPE strengthened frame for heavy loads
- ✓ Self-cleaning (anti-static) surface - reduces buildup on roller face, for low maintenance & improve belt tracking
- ✓ Longer lifespan - less downtime: anti-corrosive HDPE & highly dust and waterproof triple labyrinth seal, means King Roller™ is ideal for use in dusty, humid, alkaline & acidic environments, as it won't rust and moisture cannot reach its bearings
- ✓ Damage free - no rusted or sharp rotating edges to cut your belt, especially during high-speed operation
- ✓ Energy saving - up to 60% lighter than a steel roller, which means reduced belt tensions & up to 14% lower power consumption; silent running reduces noise pollution & HDPE roller tube can be recycled
- ✓ Overband Magnets - King Roller's polymer construction is unaffected by overband magnets
- ✓ Health & Safety - reduced risk of injury; lighter, safer and easier-to-fit & maintain (especially in difficult access and on long or suspended conveyors)

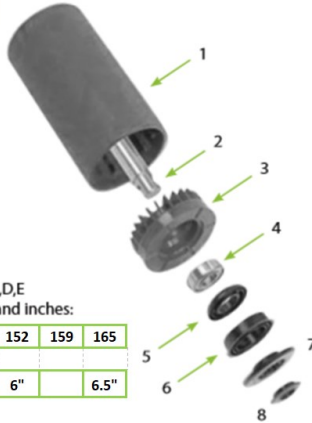
The difference is clear with King Roller's self-cleaning surface



### TROUGH ROLLERS

**KEY:**

- 1 HDPE roller tube
- 2 Shaft (mild steel/stainless steel)
- 3 Bearing loading set
- 4 Double cap bearing
- 5 Female labyrinth
- 6 Labyrinth seals
- 7 Male labyrinth
- 8 Sealing ring



### END CAP OPTIONS

Your logo can be embossed on wing roller end caps - minimum order applies



Available in CEMA Series C,D,E  
in the following diameters (mm) and inches:

89	102	108	114	127	133	140	152	159	165
3.5"	4"		4.5"	5"		6"			6.5"

### BEARINGS

Available bearing sizes (mm):

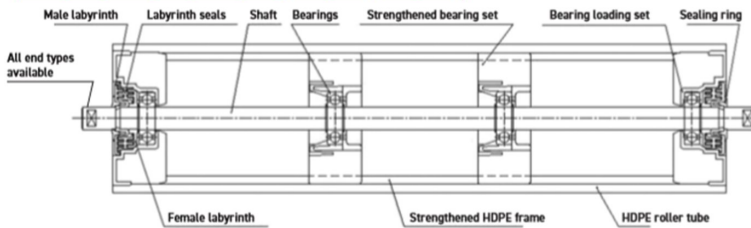
20	25	30	35	40
----	----	----	----	----

Bearing size selection dependent on roller diameter and roller length

### RETURN ROLLERS

Available in CEMA Series C,D,E  
in the following diameters (mm):

89	102	108	114	127	133	140	152	159	165
----	-----	-----	-----	-----	-----	-----	-----	-----	-----



### APPLICATIONS

- Mobile Plant OEMs
- Fertiliser/Potash
- Cement Works
- Ports
- Recycling
- Telescopic Conveyors
- Sugar beet
- Quarrying
- Coal Handling
- Salt Mining